

U-Haul® Center Linden

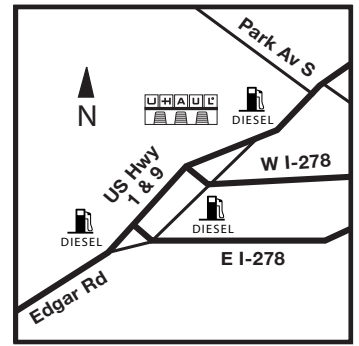
1440 Edgar Road East

Linden, NJ 07036 - (908) 486-3401

General Manager - Virginia Quinones

E-Mail: virginia_quinones@uhaul.com

- Indoor Storage: Twice the Protection and Security
- Low Cost Insurance Available
- FREE Automatic Payment Plans
- Padlocks, Boxes, Packing Supplies
- Monthly Billing Available
- Make Your Payment Online
- FREE Use of Loading Carts
- FREE Parking
- Deliveries Accepted
- Reserve Online @ uhaul.com

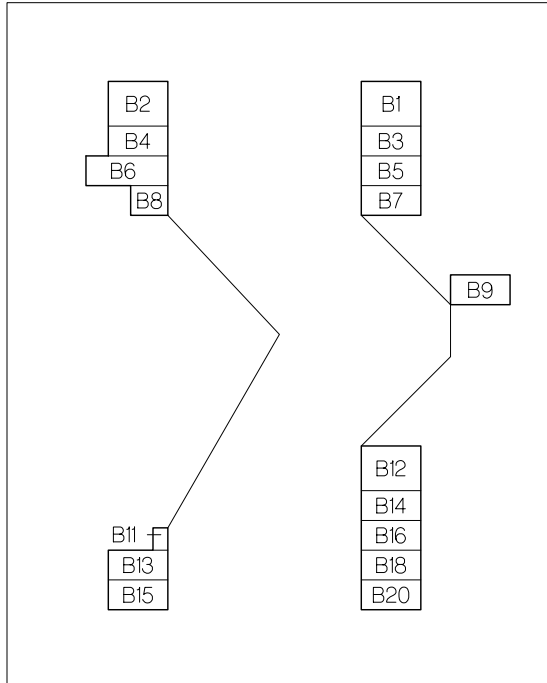


THE U-HAUL® ADVANTAGE™

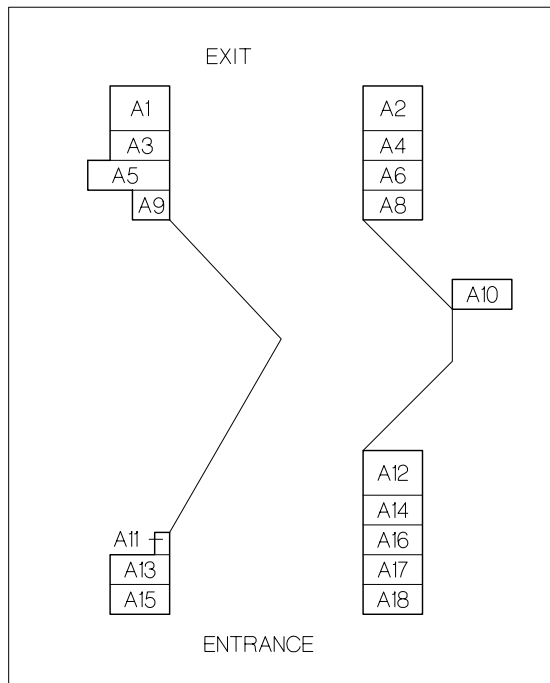
- NO DEPOSIT
- Low Monthly Rates
- Your Lock/Your Key
- A Size for Every Need
- Mon-Thurs & Sat 7am-7pm
- Friday 7am-8pm
- Sunday 9am-5pm

YOUR ROOM NUMBER

Size	Rate
2 x 3	\$24.95
4 x 8	\$54.95
11 x 4	\$89.95
6 x 8	\$99.95



UPPER LEVEL



LOWER LEVEL



814-58
12/3/07

Room sizes are approximated
69816021(A) ©2/04 U-HAUL® INT'L., Printed in the U.S.A.